

# Dixie-Narco®



Lawrence Street  
Ranson, West Virginia 25438

(304) 725-3481  
(800) 624-0553

217

## Service Bulletin # ~~Date: April 25, 1979~~

★Revised: June 23, 1980 Revised: January 12, 1983  
@Revised: January 8, 1981\* Revised: March 10, 1980  
\*\*Revised: February 10, 1981# Revised: April 21, 1980 .

All DNCB Models

MODELS: DN432/246-6 and DCB420/240-6 Adaptable 6 Select - Red Cam - Wide Stack

SUBJECT: Wide Stack - 16 oz. "B" Bottle - Non Returnable  
Wide Stack - 16 oz. PLB\*\* - Non Returnable.

REASON: To Provide a vender that will vend  
a. 16 oz. NR - "B" Bottle or  
b. 16 oz. NR - PLB\*\*

IDENTIFICATION: The tie strip on top of the Stack is painted WHITE.

BEGINNING SERIAL NUMBER: 001 2276 WS - With White Tie Strip  
001 2347 PLB - With White Tie Strip

PRODUCTION: Manufacturing will produce subject wide stacks in following models:  
\*DN432/246-6 PLB\*\*

NOTE: These two (2) models come equipped with:

- Rear Bottle Guides
- Formed Shims
- 16 oz. NR PLB\*\* Chute

\*DCB420/240-6 PLB\*\*

When received by our customer, the Vender is set to vend the "B" size 16 oz. NR. To Vend the 16 oz. NR PLB\*\* remove the formed shims, 1 each side.

### EXPLANATION:

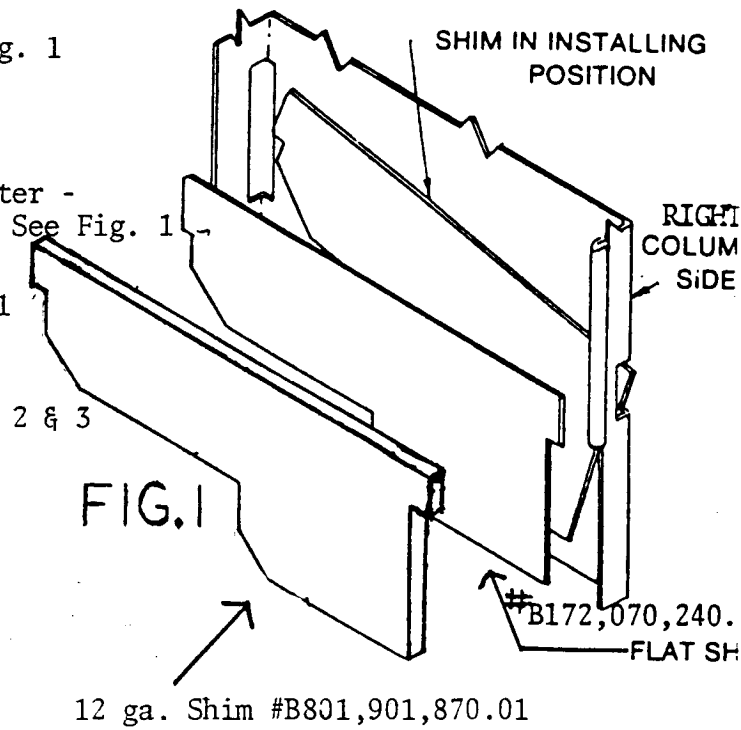
Beginning with Serial # 001 2276 WS, the WS indicates Wide Stacks manufactured and shipped to dispense the "B" size 16 oz. NR bottle only or Wide Stacks manufactured and shipped to dispense the 16 oz. NR PLB\*\* only. Additional Kit parts may be required.

\*Beginning with Serial # 001 2347 PLB, the PLB\*\* indicated "B" size bottle and PLB\*\* (Wide Stacks) manufactured and shipped to dispense either the "B" size 16 oz. NR Bottle or the 16 oz. NR PLB\*\* No additional Kit Parts are required.

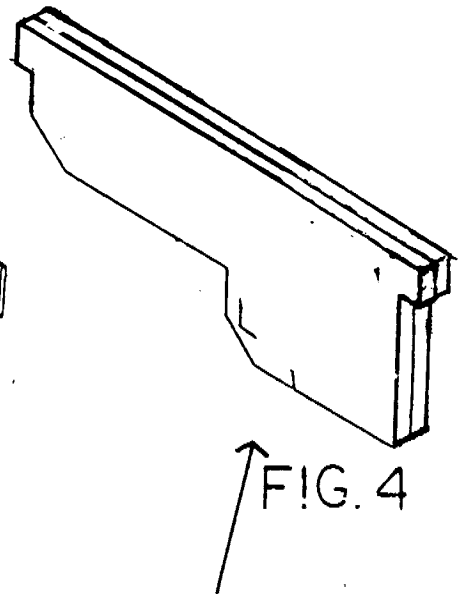
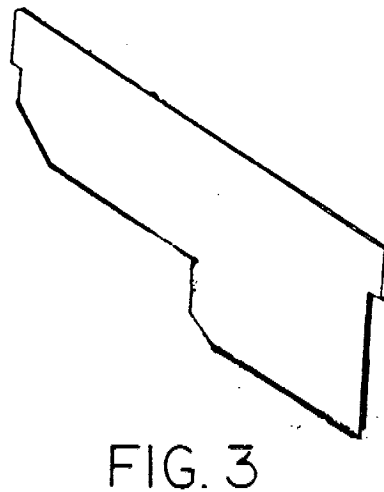
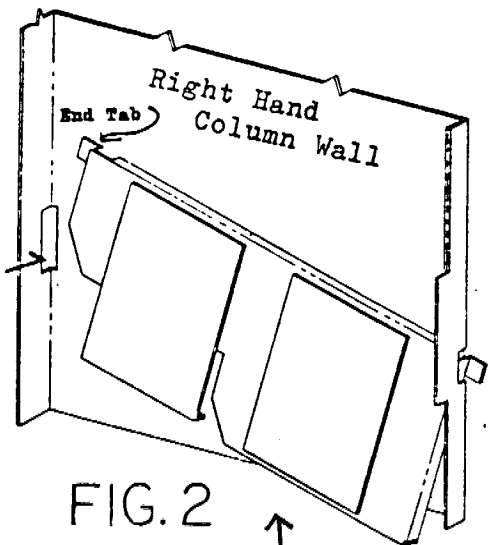
### SHIM REQUIREMENTS:

- For 16 oz. NR "B" bottle/column - See Fig. 1  
For 1/2 Litre NR Straightwall Plastic - See Fig. 1  
2 12 ga. Shims each side  
33 bottles per column
- For 16 oz. NR Plasti Shield  
For 16 oz. NR Stubby Swirl  
No Shims Required  
32 bottles per column
- For 16 oz. NR "C" bottle/column - See Fig. 1  
For 1/2 Litre NR Coke Plastic  
For 16 oz. Pepsi NR Tall Swirl  
2 12 ga. Shims each side  
2 Standard Flat Shims each side  
34 bottles per column

- d. For 1/2 Litre Coke Returnable Bottle - See Fig. 1  
2 12 ga. Shims each side  
1 Standard Flat Shim each side  
33 bottles per column
- e. For 1/2 Litre Pepsi Returnable - See Fig. 1  
2 12 ga. Shims each side  
1 Standard Flat Shim each side  
34 bottles per column
- f. For 16 oz. Paper Label Stubby "B" diameter - See Fig. 1  
2 12 ga. Shims each side  
33 bottles per column
- g. For 16. oz. NR Pepsi Stubby - See Fig. 1  
2 12 ga. Shims each side  
33 bottles per column
- h. For 12 oz. Cans double depth - See Fig. 2 & 3  
1 Standard Can Chute  
1 10 oz. Can Shim each side  
3 Standard Flat Shims each side  
74 Cans per column
- i. For 10 oz. PLB\*\* See Fig.3 & 4  
2 12 ga. Plastic Shims  
4 Standard Flat Shims each side  
Use 10 oz. PLB\*\*Chute.  
36 bottles per column



NOTE: A standard Can Chute is required to vend 12 oz. cans, chute part number: C211,070,100.13.



10 oz. Can Shim Right Hand  
#C176,011,200.03  
10 oz. Can Shim Left Hand (not shown)  
@#C176,011,100.03

Flat Shim  
#B172,070,240.43

12 ga. Plastic Shims  
#B801,901,870.01

#j. For 10oz. Returnable or 10 oz. Non-Returnable bottles:

ORDER AS: BM227,010,500.04 Identification:  
Formed Shims have 3 7/8" Diameter  
Holes. Flange is 3/8".  
See FIG. 6

For Stack with  
Blue Tie Strip

BM234,010,900.04 Identification:  
Formed Shims Have 2 7/8" Diameter  
Holes. Flange is 15/32".  
See FIG. 7

For Stack with  
White Tie Strip

INSTALLATION: See FIG. 5  
Drive the "Single Hem" between the two pieces of metal that make  
up the outside column walls.

Drive the "Double Hem" between the two pieces of metal that make  
up the inner column wall.

See FIG. 6

For 10 oz. NR Bottle

1 left Formed Shim W/A - B227,010,400.13  
1 right Formed Shim W/A - B227,010,300.13

For 10 oz. Returnable Bottle

1 left Formed Shim W/A - B227,010,400.13  
4 flat Shim - Fig 8 - B172,070,240.53  
1 right Formed Shim W/A - B227,010,300.13  
4 flat Shim - Fig. 8 - B172,070,240.53

Blue Tie Strip  
Each Column

See FIG. 7

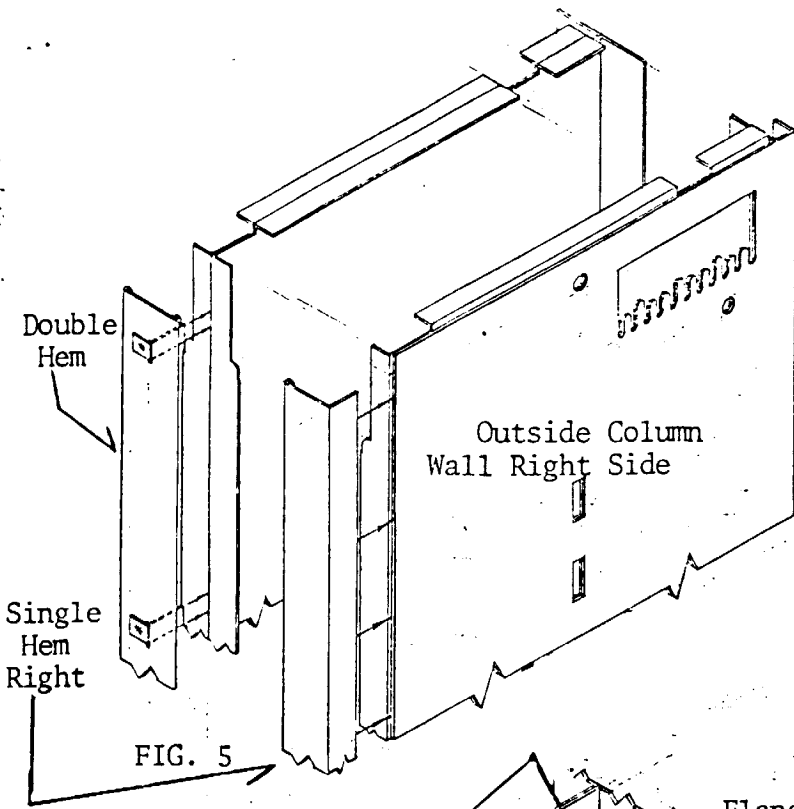
For 10 oz. NR Bottle

1 left Formed Shim W/A - B234,010,800.13  
1 right Formed Shim W/A - B234,010,700.13

For 10 oz. Returnable Bottle

1 left Formed Shim W/A - B234,010,800.13  
4 flat Shim - Fig. 8 - B172,070,240.53  
1 right Formed Shim W/A - B234,010,700.13  
4 flat Shim - Fig. 8 - B172,070,240.53

White Tie Strip  
Each Column



- @C234,011,000.03 W/A Double Hem (5 Pieces Req'd)
- @C234,010,070.03 Single Hem Right (1 Piece Req'd)
- @C234,010,080.03 Single Hem Left (Not Shown) (1 Piece Req'd)

